

LAMP MULTI-PURPOSE LID(W/DAMPER&LOCK) AZ-GD230L-HL Installation instructions

Thank you for selecting our product. Before starting installation, please read this manual thoroughly to ensure correct installation. Please keep this manual at hand for future reference.

ABOUT THE PRODUCT

- Damper allows silent closing of lid.
- Lid can be locked to block throwing in during the time of non-use.
- With red indicator of lock.
- Side plates for anti-pinch function.

FOR YOUR SAFE WORK AND OPERATION

Meaning of symbols



Caution: If these cautions are not followed, it may result in injury or damage.

- ❗ To avoid any risk of accidental fall and injury, ensure that the product is securely fastened to a support with adequate strength.
- ⊘ Any attempt to dismantle, modify or use in any way other than those described in this document, may result in damage or injury.
- ❗ Ambient temperature range is 0 to 40° C
- ❗ The closing speed of the lid may vary according to ambient temperature. If the product is stored below zero degree, please use it after several hours of storage in normal room temperature.

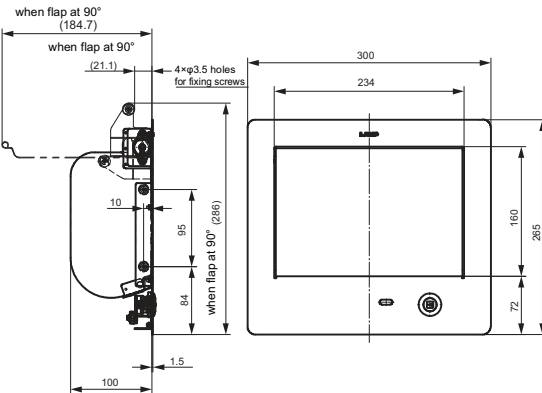
PARTS DESCRIPTION

Description	Quantity
Flap lid body	1
Warning sticker	1
Cover cap	4
key	3

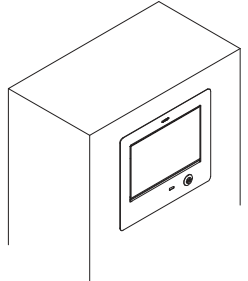
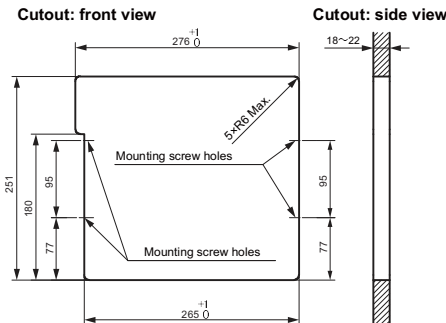
TOOLS NEEDED FOR INSTALLATION

- **Screws (not provided)**
Choose the suitable length according to the material to be mounted.
Recommended screw : Tapping screw Nominal 3 · · · · · 4 pcs

DIMENSION DRAWING

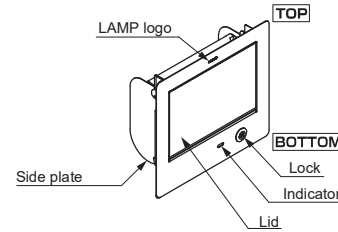


CUTOUT DIMENSIONS

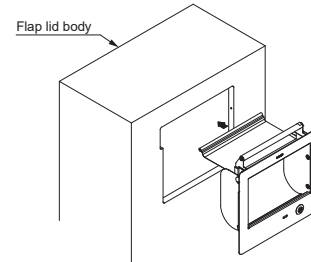


INSTALLATION

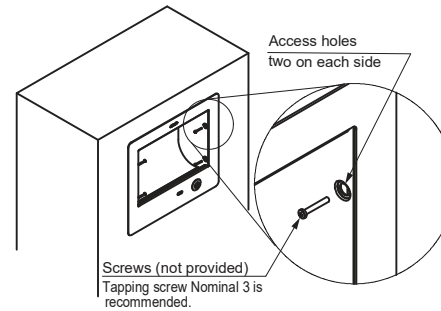
1. Make sure that the LAMP logo is at the top.



2. Do not leave any gap between the body and the mounting surface.

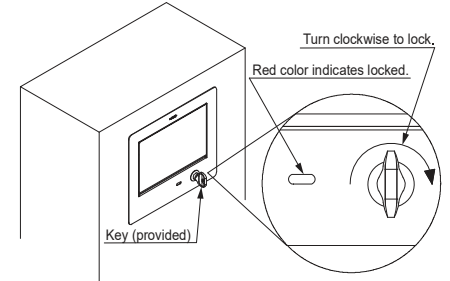


3. 3-1 Having opened the lid, insert the screws through the provided access holes (two on each side) and fasten the flap lid body securely.
3-2 Make sure that the final assembly is securely fastened.

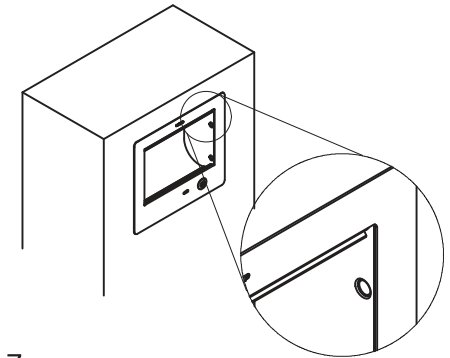


4. Slowly open and close the lid completely a few times in order to make sure that there are no obstacles such as the bottom edge of the cutout or any item inside.

5. Check if the lock works properly.



6. Cover the screwdriver access holes with the caps provided.



7. Paste the warning sticker in a visible position to avoid any injury when operating the lid.



SUGATSUNE KOGYO CO.,LTD
Tokyo, JAPAN
Phone: +81 (0)3 3866 2260 E-mail:export@sugatsune.co.jp

SUGATSUNE KOGYO (UK) LTD
Reading, UK
Phone: +44 118 9272 955 E-mail:sales@sugatsune.co.uk

SUGATSUNE EUROPE GmbH
Düsseldorf, GERMANY
Phone: +49 211 53812900 E-mails:sales@sugatsune.eu

SUGATSUNE SHANGHAI Co., LTD
Shanghai, CHINA
Phone: +86 21 3632 1858 E-mail:lamp@sugatsune.com.cn

Guangzhou, CHINA
Phone: +86 20 6639 3552 E-mail:lamp@sugatsune.com.cn

SUGATSUNE KOGYO INDIA PRIVATE LIMITED
Mumbai, INDIA
Phone: +91 22 28314490/91 E-mail:sales@sugatsune.in

SUGATSUNE AMERICA, INC
California, USA
Phone: +1 310 329 6373 E-mail:sales@sugatsune.com

Chicago, USA
Phone: +1 312 461 1081 E-mail:chicago showroom@sugatsune.com

SUGATSUNE CANADA, INC.
Phone: +1 514 312 5267 E-mail:support@sugatsune.ca